

### LF-228

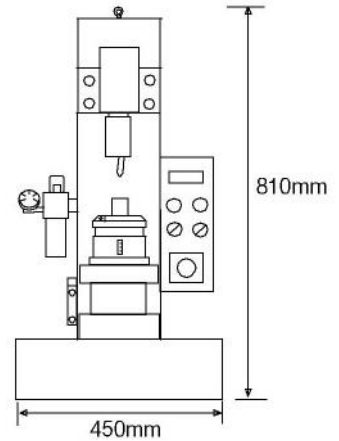
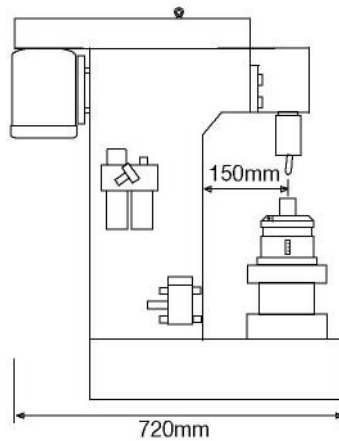


#### 上推式氣壓鉚釘機

- 適合空間小，置放不易的工件，如導演椅、摺疊椅等。

#### Opposite Joint Pneumatic Riveting Machine

- This model is suitable for direct chair and folding chair, etc.



### LF-668

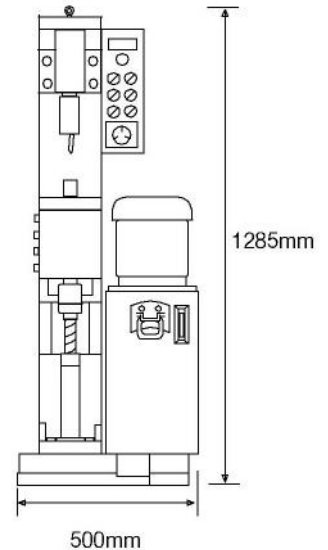
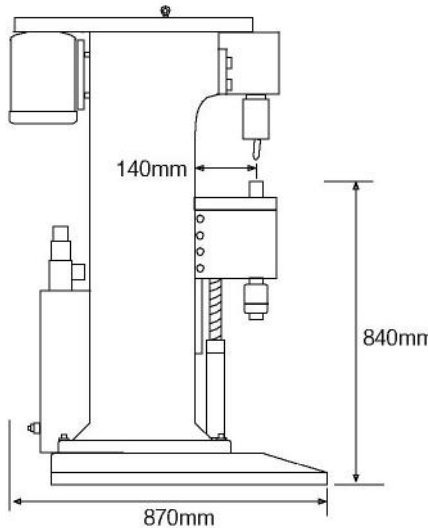


#### 上推式油壓鉚釘機

- 適合空間小，置放不易的工件，如導演椅、摺疊椅等。

#### Opposite Joint Hydraulic Riveting Machine

- This model is suitable for direct chair and folding chair, etc.



#### 規格 SPECIFICATIONS:

型號 MODEL	夾頭行程 Stroke of spin head (mm)	鉚合能力 Riveting capacity (Mild Steel Rivet) (mm)	沖頭至下模座距離 Distance between punch and lower die stand (mm)	喉深 Depth of throat (mm)	馬達 AC motor rating 4 poles	使用壓力 Gauge pressure (kgf/cm <sup>2</sup> )	最大出力 Max. output (kgf)	時間設定 Working cycle time (second)	工件最小直徑 Min. Dia of Workpiece (mm)	機械尺寸 Dimension LxWxH (mm)	淨重 N.W. (kgs)	裝箱尺寸 Wooden Case LxWxH (mm)	毛重 G.W. (kgs)
LF-228	20-40	實心(Solid) 2-5 空心(Hollow) 2-9	80	150	1/2 HP 1 or 3 Phase	2-7	720	0.5-6	Ø270	720x450x810	170	810x540x960	210
LF-668	10-50	實心(Solid) 3-12 空心(Hollow) 3-20	10-160	140	Spindle 1 HP Pump 2 HP	10-70	2600	0.5-6	Ø270	870x500x1285	364	970x600x1445	415